

JET CHISEL

Powerful scaling with multi-needles

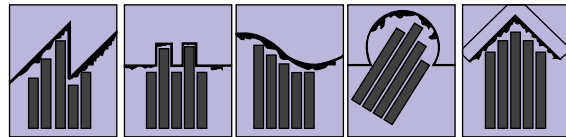


Never skip a blow, cleans and descales all jobs fast. Gets into extremely restricted areas...

An asset in any industry...de-slugging, de-sputtering welds, cleaning, castings, brick, stonework, and other materials. Jet Chisel is a prime pneumatic performer in each of these and other tough job areas.

Maximum performance in a light-weight, minimum-size air tool, Jet Chisel delivers years of trouble-free, efficient operation. And it's a tool that gets all the way down to the surface of matters.

Quick, Jet Chisel needles adjust to any surface contour automatically. They get deep into corners, all the way into uneven surfaces, all types of curvatures making it a tool no shop should be without. It's an equally efficient time-saver in ship-board applications, too.

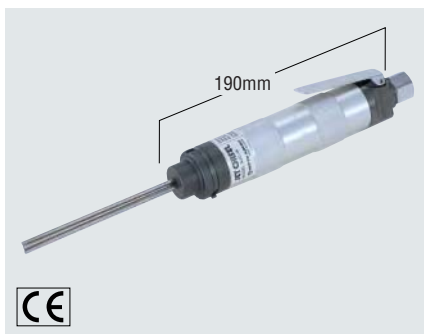


Full Automatic System

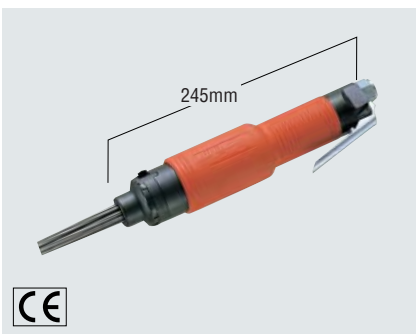
The only unit of its kind on the market without springs. This means no springs to break...no irregular power... and the advantage of low air consumption.



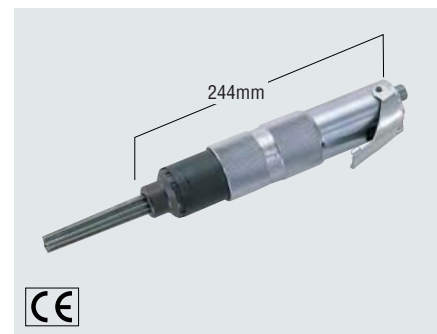
Model **AJC-16** Slim Type
(3 pcs. of needles)



Model **JT-20** Popular Type



Model **JEX-20** Low Vibration Type



Specifications

Model	AJC-16	JT-20	JEX-20
Rated Air Pressure MPa {kgf/cm ² }	0.59 {6}	0.59 {6}	0.59 {6}
Air Consumption(No load) m ³ /min	0.07	0.2	0.2
Stroke Speed min ⁻¹	6,000	4,000	4,000
Needles to be used mm	OD 3 x 180 (3pcs.)	OD 2 x 180 (29pcs.) or OD 3 x 180 (12pcs.)	OD 2 x 180 (29pcs.) or OD 3 x 180 (12pcs.)
Hose Size inch	3/8	3/8	3/8
Mass (Weight) kg	0.98	2.4	2.4

Standard Accessories	AJC-16	JT-20	JEX-20
	<ul style="list-style-type: none"> • Needle OD 3mm x 180 mm : 3 pcs. (Needle OD 3mm x 180 mm : 3 pcs. on the body) • Bushing PT3/8 x NPT3/8 : 1 pc. • Hose Nipple PT3/8 x 3/8 : 1 pc. 	<ul style="list-style-type: none"> • Needle OD 3mm x 180 mm : 12 pcs. (Needle OD 3mm x 180 mm : 12 pcs. on the body) • Bushing PT3/8 x NPT3/8 : 1 pc. • Hose Nipple PT3/8 x 3/8 : 1 pc. 	<ul style="list-style-type: none"> • Needle OD 3mm x 180 mm : 24 pcs. (12 pcs.) (Needle OD 3mm x 180 mm : 12 pcs. on the body) • Bushing PT3/8 x NPT3/8 : 1 pc. • Hose Nipple PT3/8 x 3/8 : 1 pc.

SCALING

NEEDLE SCALER **JET CHISEL**

Model **JC-16** Lightweight Type



Model **JEX-24** Universal Type



Model **JEX-28** Heavy-duty Type



Model **JEX-2800**



Specifications

Model	JC-16	JEX-24	JEX-28	JEX-2800
Rated Air Pressure MPa (kgf/cm ²)	0.59 {6}	0.59 {6}	0.59 {6}	0.63 {6.4}
Air Consumption (No load) m ³ /min	0.15	0.27	0.35	0.43
Stroke Speed min ⁻¹	4,000	4,000	4,500	3,700
Needles to be used mm	OD 2 x 150 (29pcs.)	OD 2 x 180 (53pcs.) or OD 3 x 180 (23pcs.)	OD 2 x 180 (66pcs.) or OD 3 x 180 (28pcs.) or OD 4 x 180 (14pcs.)	
Hose Size inch	3/8	3/8	3/8	3/8
Mass (Weight) kg	1.4	2.7	3.5	3.1

Standard Accessories	JC-16	JEX-24	JEX-28	JEX-2800
	<ul style="list-style-type: none"> Needle OD 2mm x 150 mm : 29 pcs. (Needle OD 2mm x 150 mm : 29 pcs. on the body) Bushing PT3/8 x NPT3/8 : 1 pc. Hose Nipple PT3/8 x 3/8 : 1 pc. 	<ul style="list-style-type: none"> Needle OD 3mm x 180 mm : 23 pcs. on the body Hex. Socket Screw Key 6 mm : 1 pc. Bushing PT3/8 x NPT3/8 : 1 pc. Hose Nipple PT3/8 x 3/8 : 1 pc. 	<ul style="list-style-type: none"> Needle OD 4mm x 180 mm : 14 pcs. (Needle OD 3mm x 180 mm : 28 pcs. on the body) Needle Supporter OD 4mm : 1pc. Bushing : 1 pc. Hose Nipple : 1 pc. 	<ul style="list-style-type: none"> Needle OD 4mm x 180 mm : 14 pcs. (Needle OD 3mm x 180 mm : 28 pcs. on the body) Needle Supporter OD 4mm : 1pc. Bushing : 1 pc. Hose Nipple : 1 pc.

Electric Needle Scaler

Model **EJC-32A**



Standard Accessories	EJC-32A
	<ul style="list-style-type: none"> Needle OD 3mm x 180 mm : 30 pcs. (15 pcs.) Hex. Socket Screw Key 6 mm : 1 pc.

The same excellent performance as our air tool!

Operated with standard electric supply to households. Special long and slim barrel design suitable for narrow corners. Double-insulated motor does not need grounding. Free subhandle position best fit to your working situation.

Specifications

Model	EJC-32A	
Power Supply	115 VAC 60Hz	230 VAC 50Hz
Rated Power Consumption W	300	300
Rated Current A	2.8	1.4
Rated Duty minutes	2.5	
Stroke Speed min ⁻¹	3,000	
Needles to be used mm	OD 2 x 180 (32 pcs.) or OD 3 x 180 (15 pcs.)	
Power Cord Length m	5	
Mass (Weight) kg	4.5	

Optional Needles



Part No.	Part Name	Q'ty	Part No.	Part Name	Q'ty
TA98780	Needles OD 2 x 150 mm	100 pcs.	TA98783	Needles OD 4 x 180 mm	50 pcs.
TA98781	Needles OD 2 x 180 mm	100 pcs.	TA9A220	Needles OD 4 x 300 mm	50 pcs.
TA9A213	Needles OD 2 x 300 mm	50 pcs.	TA9A221	Needles OD 4 x 500 mm	50 pcs.
TA9A214	Needles OD 2 x 500 mm	50 pcs.	TP00338	Needles Supporter for JT-20, JEX20	1 pc.
TA98782	Needles OD 3 x 180 mm	100 pcs.	TP02244	Needles Supporter OD 2 for JEX-24	1 pc.
TA9A216	Needles OD 3 x 300 mm	50pcs.	TP01499	Needles Supporter OD 2 for JEX-28	1 pc.
TA9A217	Needles OD 3 x 500 mm	50pcs.	TQ05210	Needles Supporter OD 2 for AJC-16	1 pc.
TA9A218	Needles OD 3 x 800 mm	50pcs.	-	-	-